



SISMA

G. GIOANOLA

METERING EFFICIENCY

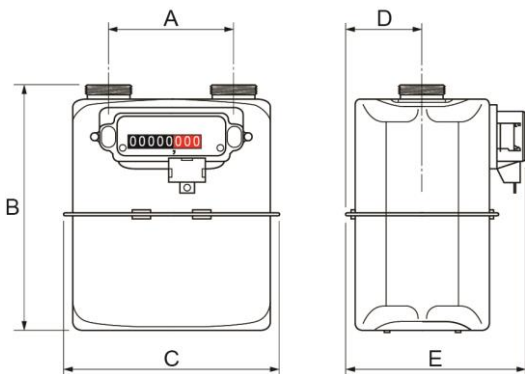
GAS METER for LPG and METHANE

- Gas meter for LPG and natural gas class G2.5 up to a maximum flow rate of 4 m³/h
- Gas meter for natural gas class G4 up to a maximum flow rate of 6 m³/h
- Model G2.5 with 110 mm length, 3/4" GAS connections and cyclic volume of 1.2 dm³
- Model G4 with 110 mm length, 1.1/4" GAS connections and 1.2 dm³ cyclic volume
- Model G6 with 250 mm length, 1.1/4" GAS connections and 5 dm³ cyclic volume
- Galvanised and pressed sheet steel case with oven-catalysed epoxy paint finish
- Certified to Standard (MID - MI002) and compliant with EN 1359 and OIML recommendations
- Predisposition for BF pulse emitter (reed)
- Available with reed pulse emitter
- Brackets for wall mounting by means of an expansion plug, complete with ball shut-off valve, available on request



Technical data

	G2,5	G4	G6
Cyclic volume V (dm ³)	1,2	1,2	5
Max flow rate Q _{max} (m ³ /h)	4	6	10
Min flow rate Q _{min} (m ³ /h)	0,025 – 0,006 (GPL)	0,04	0,06
Max working pressure P _{max} (bar)	0,5	0,5	0,5
Weight (kg)	1,45	1,45	5
A – Inter axis (mm)	110	110	250
B – Total height (mm)	210	210	329
C – max length (mm)	190	190	324
D – Centre distance tube – back (mm)	68	68	85
E – Max depth (mm)	162	162	194



TO CONVERT THE CUBIC METRES OF LPG IN THE GASEOUS PHASE MEASURED BY THE METER INTO LITRES OF LPG IN THE LIQUID PHASE, IT IS NECESSARY TO MULTIPLY THE NUMBER READ ON THE QUADRANT.

**EXAMPLE: THE DIAL INDICATES 01234.567 m³
01234.567 x 4.166 = 5143.206 LITRES OF LPG**

**The G2.5 meter is specifically designed for measuring LPG in the gaseous phase.
All models are manufactured from top quality materials to ensure maximum duration and consistency of measurement accuracy over time.**

We reserve the right to change the specifications, dimensions and weights given in this data sheet at any time without prior notice. Illustrations are not binding. 06-22

