

WALC MID horizontal helical vane meter suitable for hot water max 130°C

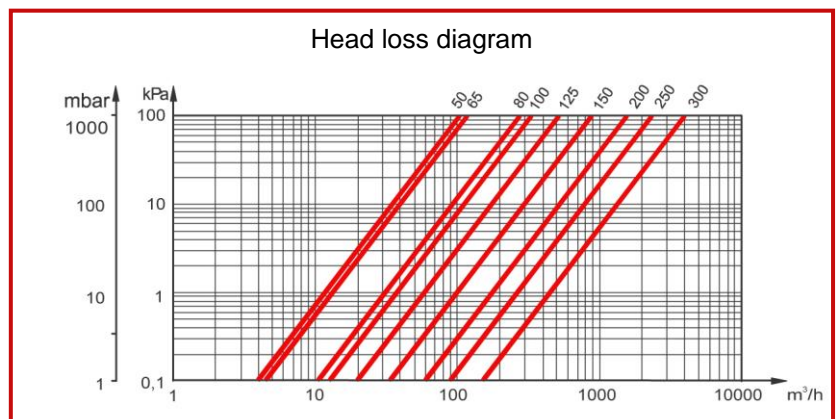
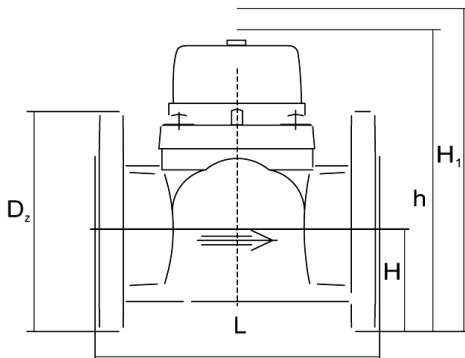
MID approval MI004 EN 1434

- Volumetric meter suitable for connection to separate thermal energy calculator via dry reed contact
- The internal measuring mechanism can be removed for inspections and maintenance purposes or for replacement
- Counter mechanism rotation lock at 360° of turn protected by a sealed metal cap with IP66 Protection Class
- Resistance against the external magnetic field
- Reed cable length 2 m / 10W Max power / 10Ω close - 150MΩ open Max. resistance
- Standard pulse value 100 l/pulse from DN50 to DN125
1000 l/pulse from DN150 to DN300 (pulse values K250-K2500 available on request)
- Horizontal, vertical and inclined installation
- Temperature range θ_{min} 0,1 °C θ_{max} 130 °C
- Maximum allowed working pressure MAP 1,6 MPa (16 bar)
- Environmental Class C / Accuracy class 3
- Flanges according to EN1092 PN16



| Technical Data | DN50 | DN65 | DN80 | DN100 | DN125 | DN150 | DN200 | DN250 | DN300 |
|---------------------------------------------------------|-----------------|-----------------|-----------------|-----------------|-----------------|-----------------|-----------------|-----------------|-----------------|
| Max flow rate [m³/h] | 30 | 50 | 80 | 120 | 200 | 300 | 500 | 800 | 1200 |
| Permanent flow rate Qn [m³/h] | 15 | 25 | 40 | 60 | 100 | 150 | 250 | 400 | 600 |
| Minimum flow rate Q _i [m³/h] | 0,6 | 1,0 | 1,6 | 2,4 | 4,0 | 6,0 | 10 | 40 | 60 |
| Max. working pressure [bar] | 16 | 16 | 16 | 16 | 16 | 16 | 16 | 16 | 16 |
| Starting flow [m³/h] | 0,25 | 0,3 | 0,35 | 0,6 | 1,1 | 2 | 4 | 8 | 15 |
| Maximum reading [m³] | 10 ⁶ | 10 ⁶ | 10 ⁶ | 10 ⁶ | 10 ⁶ | 10 ⁷ | 10 ⁷ | 10 ⁷ | 10 ⁷ |
| Scale range [dm³] | 0,5 | 0,5 | 0,5 | 0,5 | 0,5 | 5 | 5 | 5 | 50 |
| Length L [mm] | 200 | 200 | 225 200* | 250 | 250 | 300 | 350 | 450 | 500 |
| Max. height when removing mechanism H ₁ [mm] | 287 | 297 | 339 | 349 | 377 | 582 | 607 | 652 | 722 |
| Max. height h [mm] | 187 | 197 | 219 | 229 | 257 | 357 | 382 | 427 | 497 |
| Distance pipe-ground base H [mm] | 72 | 83 | 95 | 105 | 120 | 135 | 160 | 193 | 230 |
| Flanges outer diameter D ₂ [mm] | 165 | 185 | 200 | 220 | 250 | 285 | 340 | 400 | 460 |
| Weight [kg] | 9,9 | 10,6 | 13,3 | 15,6 | 18,1 | 40,1 | 51,1 | 75,1 | 103,1 |

* On request



The company's policy is one of continuous product improvement and the right is reserved to modify the specifications contained herein without notice. Illustrations are not binding.. 06-22