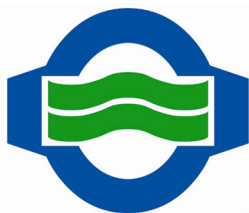


G. GIOANOLA

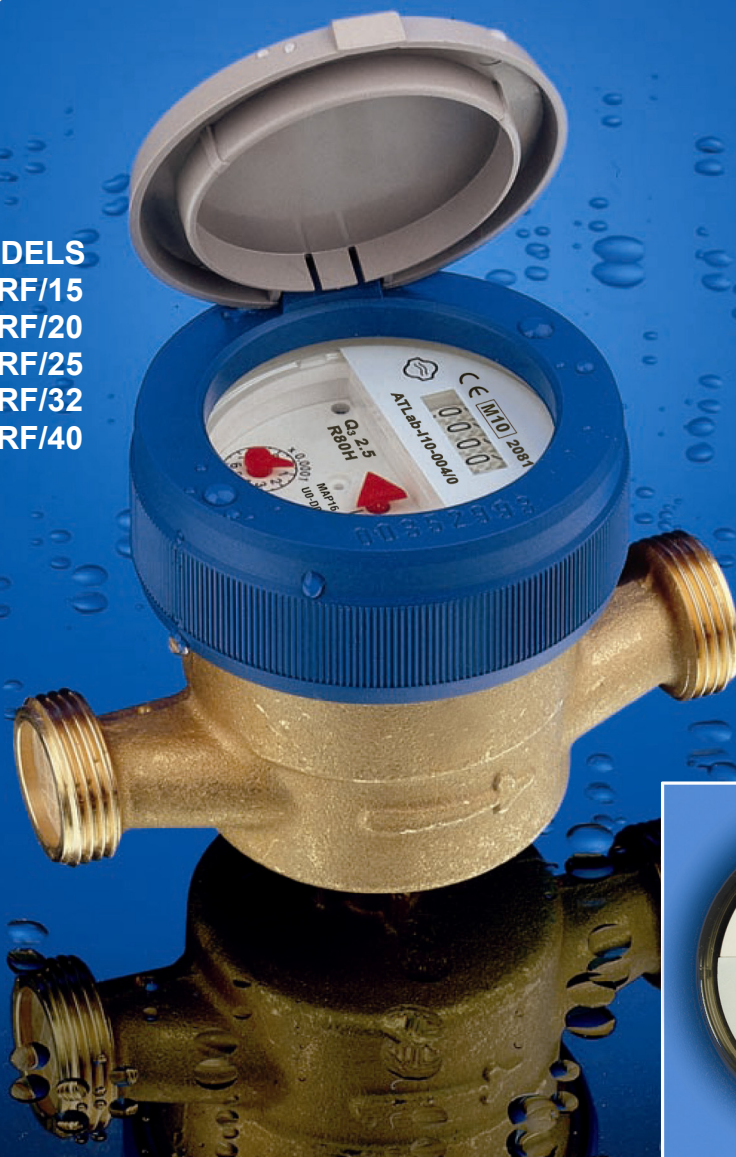


DOMUS

LIQUID FILLED SEALED COUNTER TYPE
FULLY LIQUID FILLED SEALED COUNTER TYPE

MID
2004/22/CE

MODELS
DPRF/15
DPRF/20
DPRF/25
DPRF/32
DPRF/40



MODELS
DDRF/15
DDRF/20
DDRF/25
DDRF/32
DDRF/40



- ❖ Single-jet meter, direct reading
- ❖ Mod. DPRF LIQUID FILLED SEALED counter type, measuring range R80 and R160, for turbid waters, temperature classes T30 and T50
- ❖ Mod. DDRF FULLY LIQUID FILLED SEALED counter type, measuring range R80 and R160, for turbid waters, temperature classes T30 and T50
- ❖ **U0-D0**: straight pipe not required upstream or downstream the meter
- ❖ Mod. DN 15 e DN 20 are available with non return valve, upon request
- ❖ All models are **MID** approved according to the European Directive **2004/22/CE** (module B+D) and in compliance with the norms **EN 14154/2007** and **OIML R49/2006**
- ❖ All models are certified for use with water for human consumption, according to the **D.M. 174** of 6/4/ 2004
- ❖ All models, on request, can be supplied pulsed output or **preset for remote reading**

DN - in mm-inches			15 - 1/2	20 - 3/4	25 - 1	32 - 1.1/4	40 - 1.1/2
Q ₃	Permanent flow rate	m ³ /h	2,5	4,0	6,3	10	16
Q ₄	Maximum flow rate for short period	m ³ /h	3,125	5,0	7,875	12,5	20
Q ₂	Transitional flow rate with measuring range R80 [MPE ±2%]	l/h	50	80	126	200	320
Q ₁	Minimum flow rate with measuring range R80 [MPE ±5%]	l/h	31,25	50	78,75	125	200
Q ₂	Transitional flow rate with measuring range R160 [MPE ±2%]	l/h	25	40	63	100	160
Q ₁	Minimum flow rate with measuring range R160 [MPE ±5%]	l/h	15,63	25	39,38	62,5	100
S	Accuracy at measuring range R80	l/h	10	15	20	20	25
S	Accuracy at measuring range R160	l/h	5	8	8	13	18
ΔP	Pressure loss class	bar	0,63	0,63	0,63	0,63	0,63
MAP	Maximum allowed working pressure	bar	16	16	16	16	16
	Dial register from / to	m ³	0,0001/100,00	0,0001/100,00	0,0001/100,00	0,0001/100,00	0,0001/100,00
A	Length without couplings	mm	110-115	130	160	160	200
	Length with couplings	mm	190-195	228	260	280	340
B	Maximum diameter	mm	80	80	100	100	110
C	Height with open lid	mm	150	150	185	185	200
D	Height with closet lid	mm	83	83	103	103	120
E	Height of tube	mm	24	24	34	34	42
	Weight with couplings	kg	0,850	1,100	1,750	2,000	3,460
	Weight without couplings	kg	0,690	0,860	1,280	1,330	2,420

MODELS:

Temperature class T30 LIQUID FILLED SEALED counter type

DPRF/15 R80 DPRF/15 R160
DPRF/20 R80 DPRF/20 R160

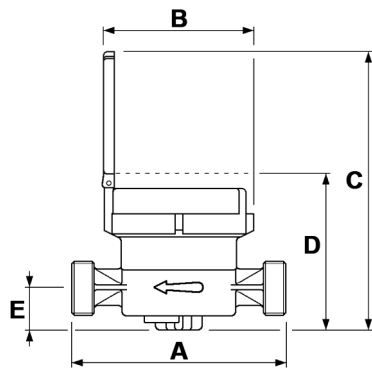
Temperature classes T30-T50 LIQUID FILLED SEALED counter type

DPRF/25 R80 DPRF/25 R160
DPRF/32 R80 DPRF/32 R160
DPRF/40 R80 DPRF/40 R160

Temperature classes T30-T50 FULLY LIQUID FILLED SEALED counter type

DDRF/15 R80 DDRF/15 R160
DDRF/20 R80 DDRF/20 R160
DDRF/25 R80 DDRF/25 R160
DDRF/32 R80 DDRF/32 R160
DDRF/40 R80 DDRF/40 R160

The Company's policy is one of continuous product improvement and the right is reserved to modify the specifications contained herein without notice.



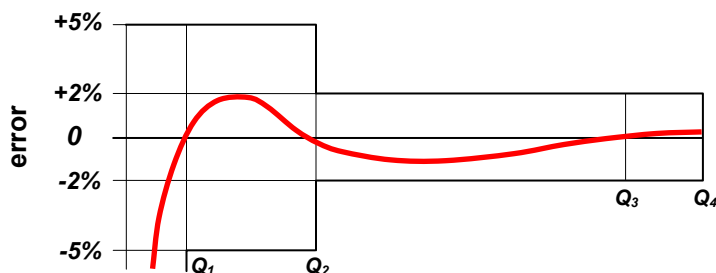
G. GIOANOLA

SISMA WATER METERS

Strada Alessandria 50
Tel. +39.0141.793536 – Fax +39.0141.702757
14049 NIZZA MONFERRATO (AT) – ITALY

E-mail: info@gioanola.it
Web: <http://www.gioanola.it>

TYPICAL ACCURACY CURVE



HEAD LOSS DIAGRAM

