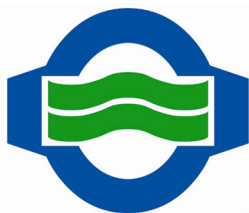


G. GIOANOLA



DOMUS DRY DIAL

MID
2004/22/CE

MODELS
DARF/15
DARF/20
DARF/25
DARF/32
DARF/40



- ❖ Single-jet meter, direct reading
- ❖ Mod. DARF DRY dial, measuring range R80, for turbid and heavily-calcareous water, temperature classes T30 e T50
- ❖ Ideal for installation in areas with highly variable changes in pressure
- ❖ **U0-D0**: straight pipe not required upstream or downstream the meter
- ❖ Mod. DN 15 e DN 20 are available with non return valve, upon request
- ❖ All models are **MID** approved according to the European Directive **2004/22/CE** (module B+D) and in compliance with the norms **EN 14154/2007** and **OIML R49/2006**
- ❖ All models are certified for use with water for human consumption, according to the **D.M. 174** of 6/4/ 2004
- ❖ All models, upon request, are available with glass wiping
- ❖ Mod. DN 25 , DN 32 and DN 40, on request, can be supplied pulsed output or **preset for remote reading**

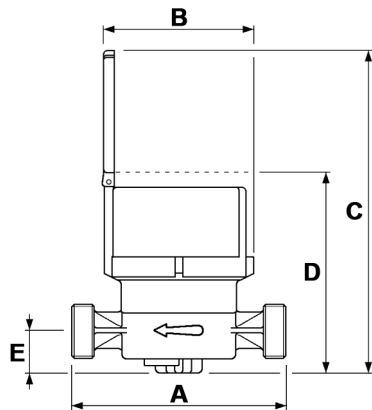
DN calibro mm - pollici			15 - 1/2	20 - 3/4	25 - 1	32 - 1.1/4	40 - 1.1/2	
Q ₃	Permanent flow rate	m ³ /h	2,5	4,0	6,3	10	16	
Q ₄	Maximum flow rate for short period	m ³ /h	3,125	5,0	7,875	12,5	20	
Q ₂	Transitional flow rate with measuring range R80 [MPE ±2%]	l/h	50	80	126	200	320	
Q ₁	Minimum flow rate with measuring range R80 [MPE ±5%]	l/h	31,25	50	78,75	125	200	
S	Accuracy at measuring range R80	l/h	10	15	20	20	25	
ΔP	Pressure loss class	bar	0,63	0,63	0,63	0,63	0,63	
MAP	Maximum allowed working pressure	bar	16	16	16	16	16	
	Dial register from / to	m ³	0,0001/100.00	0,0001/100.00	0,0001/100.00	0,0001/100.00	0,0001/100.00	
A	Length without couplings	mm	110-115	130	160	160	200	
	Length with couplings	mm	190-195	228	260	280	340	
B	Maximum diameter	mm	80	80	100	100	110	
C	Height with open lid	mm	175	175	185	185	195	
D	Height with closet lid	mm	108	108	128	128	142	
E	Height of tube	mm	24	24	34	34	42	
	Weight with couplings	kg	1,050	1,250	1,850	2,150	3,540	
	Weight without couplings	kg	0,890	1,010	1,380	1,440	2,500	

MODELS:

Temperature classes T30-T50 DRY dial

DARF/15 R80
DARF/20 R80
DARF/25 R80
DARF/32 R80
DARF/40 R80

The Company's policy is one of continuous product improvement and the right is reserved to modify the specifications contained herein without notice.



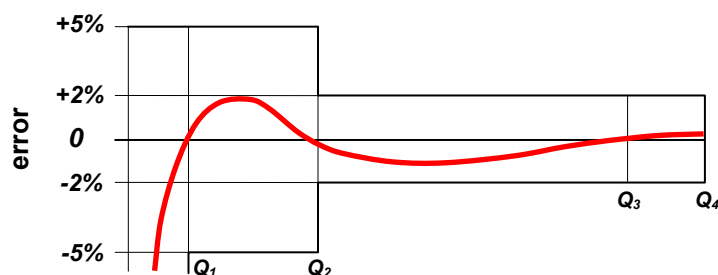
G. GIOANOLA

SISMA WATER METERS

Strada Alessandria 50
Tel. +39.0141.793536 – Fax +39.0141.702757
14049 NIZZA MONFERRATO (AT) – ITALY

E-mail: info@gioanola.it
Web: <http://www.gioanola.it>

TYPICAL ACCURACY CURVE



HEAD LOSS DIAGRAM

