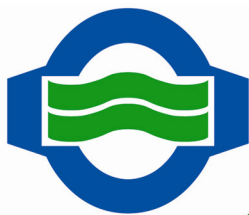


# G. GIOANOLA



## SUPER DRY 8 DIGIT COUNTER

360° ROTATING COUNTER  
DRY DIAL

**MID**  
2004/22/CE



### MODELS

USF-8/15 – USC-8/15  
USF-8/20 – USC-8/20

- ❖ Single-jet meter, direct reading on 8-digit roller counter: 5 black digits for cubic metres and 3 red digits for litres
- ❖ DRY dial for turbid and greatly calcareous waters; manually 360° rotating dial, for easy reading in any position and, upon request, available with or without lid, with or without glass wiping
- ❖ Mod. USF-8 R80 DN 15 and DN 20, temperature classes T30 e T50, measuring range R80
- ❖ Mod. USC-8 R80 DN 15 and DN 20, temperature classes T70 e T90, measuring range R80
- ❖ Mod. USF-8-SA R80 DN 15 and DN 20, temperature classes T30 e T50, measuring range R80, equipped with water volume increase compensation system when frosting
- ❖ **U0-D0**: straight pipe not required upstream or downstream the meter
- ❖ All models are available with non return valve, upon request
- ❖ All models are **MID** approved according to the European Directive **2004/22/CE** (module B+D) and in compliance with the norms **EN 14154/2007** and **OIML R49/2006**
- ❖ All models are certified for use with water for human consumption, according to the **D.M. 174** of 6/4/ 2004
- ❖ All models, on request, can be supplied pulsed output or **preset for remote reading**

# SUPER DRY 8 DIGIT COUNTER

DN in mm-inches			15 - 1/2	20 - 3/4				
Q <sub>3</sub>	Permanent flow rate	m <sup>3</sup> /h	2,5	4,0				
Q <sub>4</sub>	Maximum flow rate for short period	m <sup>3</sup> /h	3,125	5,0				
Q <sub>2</sub>	Transitional flow rate with measuring range R80 [MPE ±2%]	l/h	50	80				
Q <sub>1</sub>	Minimum flow rate with measuring range R80 [MPE ±5%]	l/h	31,25	50				
S	Accuracy at measuring range R80	l/h	7	15				
ΔP	Pressure loss class	bar	0,63	0,63				
MAP	Maximum allowed working pressure	bar	16	16				
	Dial register from / to	m <sup>3</sup>	0,0001 / 100.000	0,0001 / 100.000				
A	Length without couplings	mm	110-80 115-170	130				
	Length with couplings	mm	190-160 195-250	228				
B	Maximum diameter	mm	72	72				
C	Height with open lid	mm	138	143				
D	Height with closet lid	mm	70	74				
E	Height of tube	mm	16	19				
	Weight with couplings	kg	0,660	0,840				
	Weight without couplings	kg	0,500	0,600				

## MODELS:

### Temperature classes T30-T50

USF-8/15 R80

USF-8/20 R80

### Temperature classes T70-T90

USC-8/15 R80

USC-8/20 R80

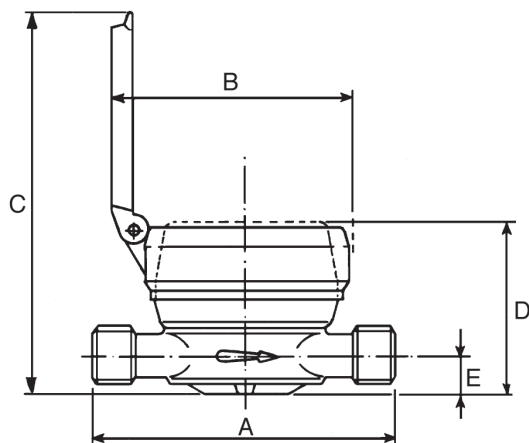
### Temperature classes T30-T50

with system that compensates the water increase when frosting

USF-8-SA/15 R80

USF-8-SA/20 R80

The Company's policy is one of continuous product improvement and the right is reserved to modify the specifications contained herein without notice.



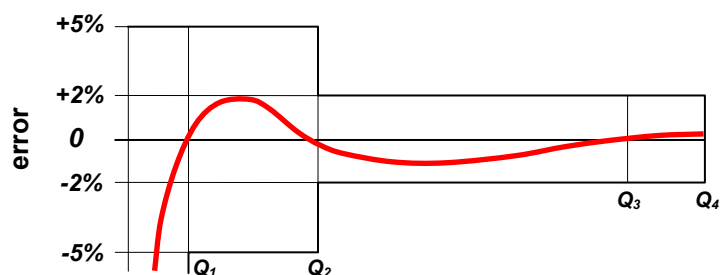
## G. GIOANOLA

### SISMA WATER METERS

Strada Alessandria 50  
Tel. +39.0141.793536 – Fax +39.0141.702757  
14049 NIZZA MONFERRATO (AT) – ITALY

E-mail: [info@gioanola.it](mailto:info@gioanola.it)  
Web: <http://www.gioanola.it>

## TYPICAL ACCURACY CURVE



## HEAD LOSS DIAGRAM

