

G. GIOANOLA



SUPER DRY

360° ROTATING COUNTER
DRY DIAL

MID
2004/22/CE



MODELS

USF/15 – USC/15
USF/20 – USC/20

- ❖ Single-jet meter, direct reading
- ❖ DRY dial for turbid and greatly calcareous waters; manually 360° rotating dial, for easy reading in any position and, upon request, available with or without lid, with or without glass wiping
- ❖ Mod. USF R80, DN 15 and DN 20, temperature classes T30 and T50, measuring range R80
- ❖ Mod. USC R80, DN 15 and DN 20, temperature classes T70 and T90, measuring range R80
- ❖ Mod. USF-SA R80, DN 15 and DN 20: temperature classes T30 and T50, measuring range R80, equipped with water volume increase compensation system when frosting
- ❖ **U0-D0**: straight pipe not required upstream or downstream the meter
- ❖ All models are available with non return valve, upon request
- ❖ All models are **MID** approved according to the European Directive **2004/22/CE** (module B+D) and in compliance with the norms **EN 14154/2007** and **OIML R49/2006**
- ❖ All models are certified for use with water for human consumption, according to the **D.M. 174** of 6/4/ 2004
- ❖ All models, on request, can be supplied pulsed output or **preset for remote reading**

SUPER DRY

DN in mm-inches			15 - 1/2	20 - 3/4				
Q ₃	Permanent flow rate	m ³ /h	2,5	4,0				
Q ₄	Maximum flow rate for short period	m ³ /h	3,125	5,0				
Q ₂	Transitional flow rate with measuring range R80 [MPE ±2%]	l/h	50	80				
Q ₁	Minimum flow rate with measuring range R80 [MPE ±5%]	l/h	31,25	50				
S	Accuracy at measuring range R80	l/h	7	15				
ΔP	Pressure loss class	bar	0,63	0,63				
MAP	Maximum allowed working pressure	bar	16	16				
	Dial register from / to	m ³	0,0001 / 100.000	0,0001 / 100.000				
A	Length without couplings	mm	110-80 115-170	130				
	Length with couplings	mm	190-160 195-250	228				
B	Maximum diameter	mm	72	72				
C	Height with open lid	mm	138	143				
D	Height with closet lid	mm	70	74				
E	Height of tube	mm	16	19				
	Weight with couplings	kg	0,660	0,840				
	Weight without couplings	kg	0,500	0,600				

MODELS:

Temperature classes T30-T50

USF/15 R80

USF/20 R80

Temperature classes T70-T90

USC/15 R80

USC/20 R80

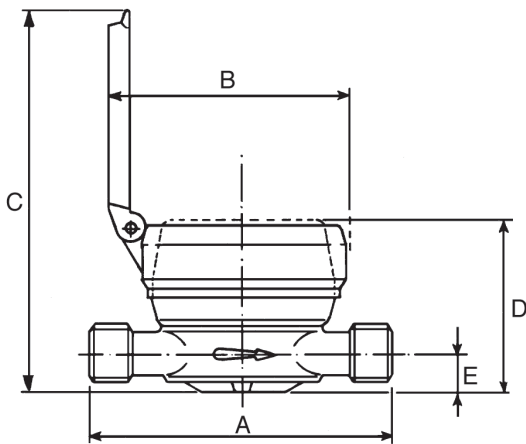
Temperature classes T30-T50

with system that compensates the water increase when frosting

USF-SA/15 R80

USF-SA/20 R80

The Company's policy is one of continuous product improvement and the right is reserved to modify the specifications contained herein without notice.



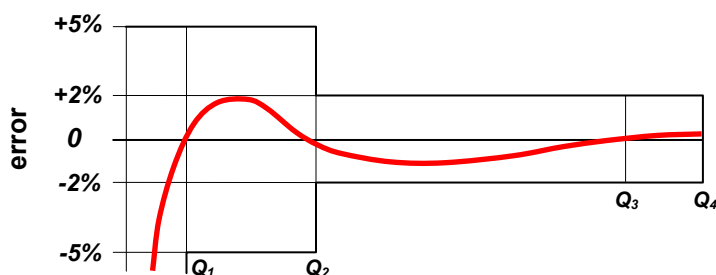
G. GIOANOLA

SISMA WATER METERS

Strada Alessandria 50
Tel. +39.0141.793536 – Fax +39.0141.702757
14049 NIZZA MONFERRATO (AT) – ITALY

E-mail: info@gioanola.it
Web: <http://www.gioanola.it>

TYPICAL ACCURACY CURVE



HEAD LOSS DIAGRAM

