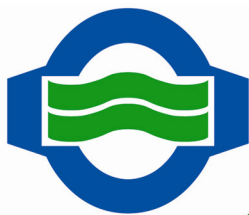


# G. GIOANOLA



## DOMUS WET DIAL



MODELS  
DBRF/15  
DBRF/20  
DBRF/25  
DBRF/32  
DBRF/40



- ❖ Single-jet meter, direct reading
- ❖ Mod. DBRF WET dial, measuring range R80 and R160, for clean water, temperature class T30 e T50
- ❖ **U0-D0**: straight pipe not required upstream or downstream the meter
- ❖ Mod. DN 15 e DN 20 are available with non return valve, upon request
- ❖ All models are **MID** approved according to the European Directive **2004/22/CE** (module B+D) and in compliance with the norms **EN 14154/2007** and **OIML R49/2006**
- ❖ All models are certified for use with water for human consumption, according to the **D.M. 174** of 6/4/ 2004
- ❖ All models, on request, can be supplied pulsed output or **preset for remote reading**

DN in mm-inches			15 - 1/2	20 - 3/4	25 - 1	32 - 1.1/4	40 - 1.1/2	
Q <sub>3</sub>	Permanent flow rate	m <sup>3</sup> /h	2,5	4,0	6,3	10	16	
Q <sub>4</sub>	Maximum flow rate for short period	m <sup>3</sup> /h	3,125	5,0	7,875	12,5	20	
Q <sub>2</sub>	Transitional flow rate with measuring range R80 [MPE ±2%]	l/h	50	80	126	200	320	
Q <sub>1</sub>	Minimum flow rate with measuring range R80 [MPE ±5%]	l/h	31,25	50	78,75	125	200	
Q <sub>2</sub>	Transitional flow rate with measuring range R160 [MPE ±2%]	l/h	25	40	63	100	160	
Q <sub>1</sub>	Minimum flow rate with measuring range R160 [MPE ±5%]	l/h	15,63	25	39,38	62,5	100	
S	Accuracy at measuring range R80	l/h	10	15	20	20	25	
S	Accuracy at measuring range R160	l/h	5	8	8	13	18	
ΔP	Pressure loss class	bar	0,63	0,63	0,63	0,63	0,63	
MAP	Maximum allowed working pressure	bar	16	16	16	16	16	
	Dial register from / to	m <sup>3</sup>	0,0001/100.00	0,0001/100.00	0,0001/100.00	0,0001/100.00	0,0001/100.00	
A	Length without couplings	mm	110-115	130	160	160	200	
	Length with couplings	mm	190-195	228	260	280	340	
B	Maximum diameter	mm	80	80	100	100	110	
C	Height with open lid	mm	150	150	185	185	200	
D	Height with closet lid	mm	83	83	103	103	120	
E	Height of tube	mm	24	24	34	34	42	
	Weight with couplings	kg	0,850	1,100	1,750	2,000	3,460	
	Weight without couplings	kg	0,690	0,860	1,280	1,330	2,420	

### MODELS:

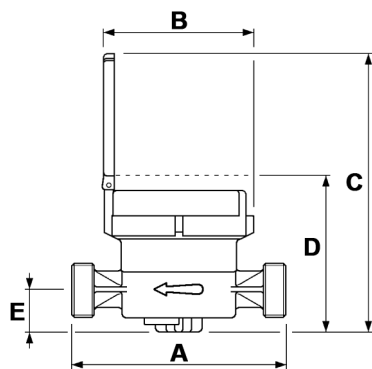
#### Temperature class T30 WET dial

DBRF/15 R80      DBRF/15 R160  
DBRF/20 R80      DBRF/20 R160

#### Temperature classes T30-T50 WET dial

DBRF/25 R80      DBRF/25 R160  
DBRF/32 R80      DBRF/32 R160  
DBRF/40 R80      DBRF/40 R160

The Company's policy is one of continuous product improvement and the right is reserved to modify the specifications contained herein without notice.



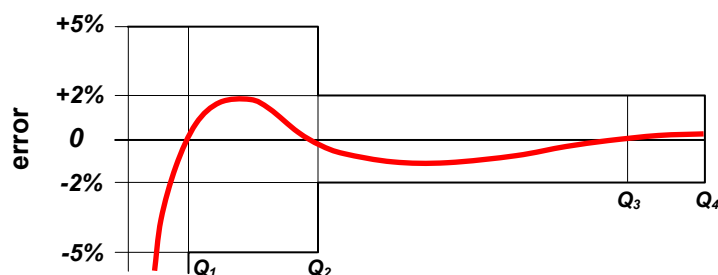
## G. GIOANOLA

### SISMA WATER METERS

Strada Alessandria 50  
Tel. +39.0141.793536 – Fax +39.0141.702757  
**14049 NIZZA MONFERRATO (AT) – ITALY**

E-mail: [info@gioanola.it](mailto:info@gioanola.it)  
Web: <http://www.gioanola.it>

### TYPICAL ACCURACY CURVE



### HEAD LOSS DIAGRAM

