

G. GIOANOLA

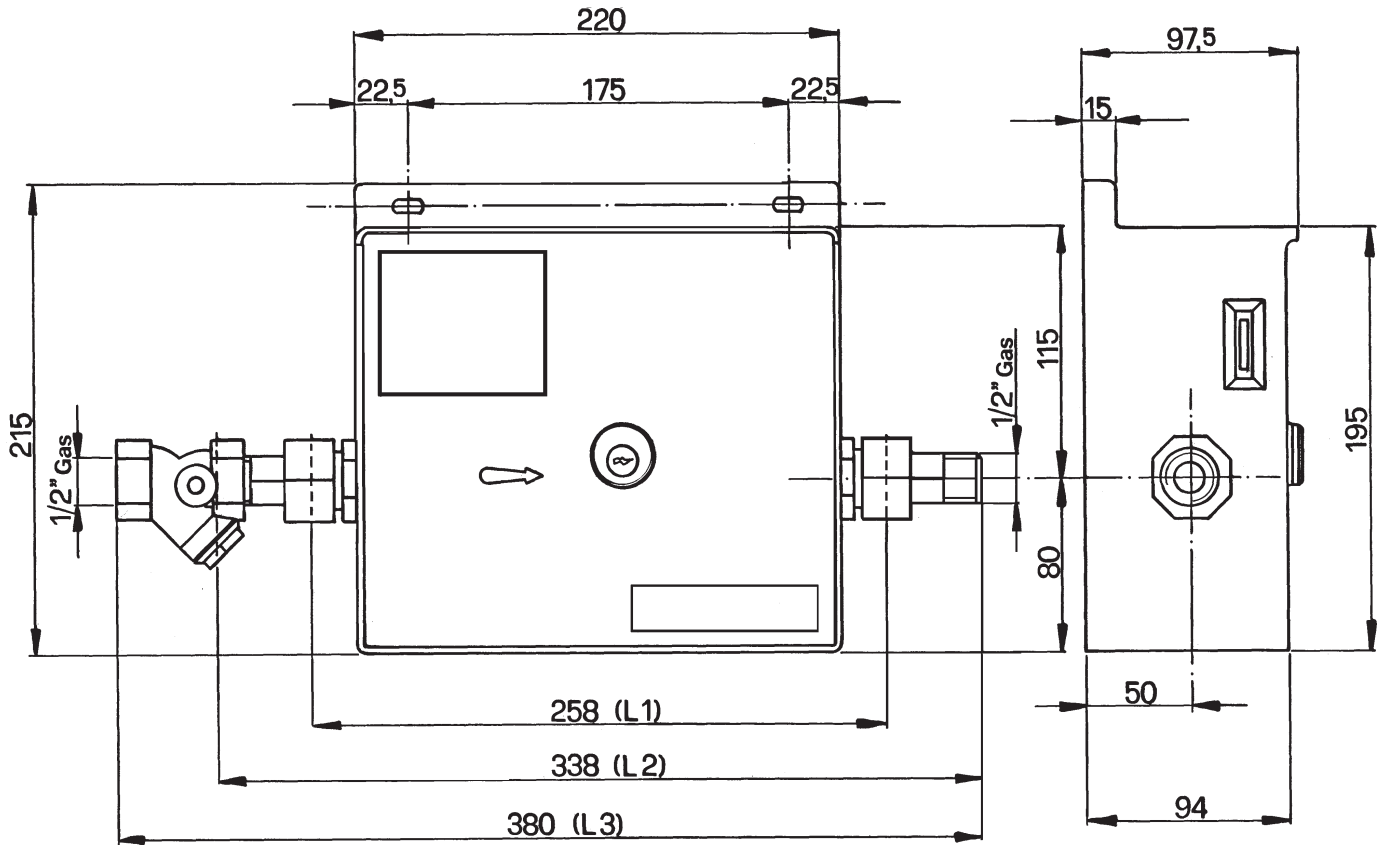


OSCAR II° *plus*



- * Coin-operated water meter
- * Designed to control and meter, easily and simply, the consumption of hot -up to 90 °C- and cold water
- * Useful at self-service car washes, camp sites, beaches, communal laundries in apartment blocks, and in any other public place where, in order to avoid wasting water, it is necessary to control its distribution
- * The internal parts are made entirely of 18/8 STAINLESS STEEL and 0T/58 BRASS, so as to guarantee that it works perfectly whatever the quality of the water may be

OSCAR II° plus



N.B.:

L1 = length without connectors,
3/4" - diameter Gas coupling

L2 = length with connectors,
1/2" - diameter Gas coupling

L3 = length with connectors and impurity -
collection filter, 1/2" - diameter
Gas coupling (male coupling on the
connectors; female coupling on the
collector)

The Company's policy is one of continuous product improvement and the right is reserved to modify the specifications contained herein without notice



G. GIOANOLA
SISMA WATER METERS

Strada Alessandria 50
Tel. +(39)-0141-793536 - Fax +(39)-0141-702757
14049 NIZZA MONFERRATO (AT) - ITALY

E-mail: info@gioanola.it
<http://www.gioanola.it>

«OSCAR II° plus» COIN-OPERATED WATER METER

The apparatus is used to meter the distribution of hot and cold potable water by inserting a special "OSCAR II° plus" token. IT WORKS MECHANICALLY, thus avoiding the need for any power points.

The quantity of water distributed, with one token, is constant and cannot be altered except by sending the meter back to the manufacturer, who will see to the resetting of the apparatus.

The purchaser will inform the manufacturer as to the new quantity of water that has to be programmed for one token. To set the amount of water to be distributed for one token, choose one of the following quantities:

5 - 8 - 10 - 12 - 15 - 18 - 20 - 25 - 30 - 40 - 50 - 100 - 1000 litres (other values available on request).

The water meter does not require any maintenance or lubrication.

WORKING PRESSURE

- minimum 1 bar
- maximum 10 bar

The "OSCAR II° plus" water meter is equipped with the following accessories:

- n. 2 pipe fittings (nut, tang, connection gasket)
- n. 1 bronze impurity collector with stainless-steel filter
- n. 50 "OSCAR II° plus" tokens

INSTALLATION AND START UP

OSCAR II° plus, as opposed to normal water meters, may be wall-mounted, thus it is necessary to carry out the following operations in the set order:

- A) Fit the impurity collector to the water meter, with its outlet facing down.
- B) Mount the water meter on the wall with the connectors perfectly horizontal.
- C) Using the flexible tube, connect the water meter to the water inlet and outlet pipes.
- D) During the assembly work, make sure all the parts are perfectly clean.
- E) All the operations must be carried out with the water-meter cover closed.
- F) It is good practice to place a gate upstream of the impurity collector.

START UP:

- turn on the water tap
- let the water run until the water meter shuts it off
- if no water comes out, insert a token