

# G. GIOANOLA



## ELECTRONIC COUNTERS FOR PULSE WATER METERS



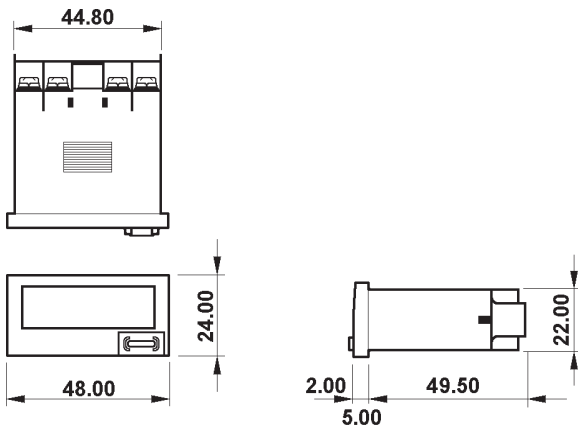
**H7CR-A MODEL**

**H7EC-N MODEL**

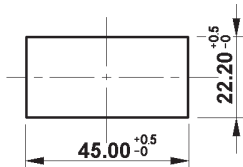
- \* Digital pulse counters with voltage-free input (opening and closing of a contact) and with contact terminals
- \* H7EC-N MODEL – compact economical digital counter - high visibility 8-digit LCD display, counting range 0 to 99999999 – external and manual reset - key-protect switch to prevent faulty reset key operation – no external power supply necessary. The counter is powered by a built-in lithium battery – battery life 7 years min. with continuous input - weight 60 g approx.
- \* H7CR-A MODEL – digital preset counter - high visibility 6-digit LCD display, counting range 0 to 999999 – external and manual reset – supply voltage 24 VAC, 50/60 Hz. – memory backup guaranteed by a built-in lithium battery for approx. 10 years – weight 230 g approx.
- \* The H7CR-A model boasts a voltage-free contact linkable to electric valves, alarms, PLC, etc., for the manufacture of dosing, purifying and mixing equipment, etc.

# ELECTRONIC COUNTERS FOR PULSE WATER METERS

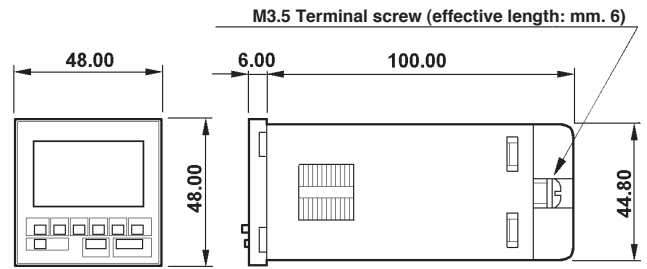
## H7EC-N



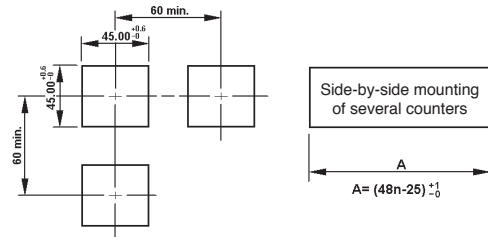
**Panel cutouts**  
Panel cutout is in accordance with DIN 43700 Provision



## H7CR-A



**Panel cutouts**  
Panel cutout is in accordance with DIN 43700 Provision



Note: 1. The mounting panel thickness should be 1 to 4 mm.  
2. It is possible to mount counters side by side, but horizontally only.

### H7EC-N MODEL

Digital pulse counter with voltage-free input (opening and closing of as contact) and contact terminals; powered by a built-in lithium battery with memory protection, battery life 7 years min. High visibility 8-digit LCD display (0 ... 99999999) with external and manual reset, operating ambient temperature -10°C to 55°C with no condensation or icing - weight 60 G approx.

### H7CR-A MODEL

Digital pre-set pulse counter (with the possibility of changing setting during operation), with free-voltage input (opening and closing of a contact) and contact terminals. High visibility 6-digit LCD display (0 ... 999999), external and manual reset, supply voltage 24 Vac, 50/60 Hz, memory backup guaranteed by a built-in lithium battery for approx. 10 years, operating ambient temperature -25°C to 55°C with no icing, weight 230 G approx.

The Company's policy is one of continuous product improvement and the right is reserved to modify the specifications contained herein without notice.



**G. GIOANOLA**  
SISMA WATER METERS

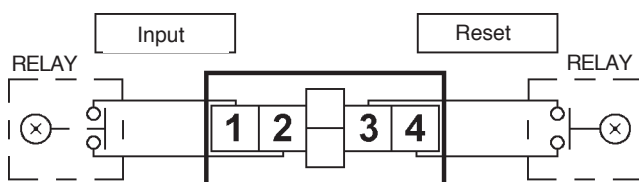
Strada Alessandria 50  
Tel. +(39)-0141-793536 - Fax +(39)-0141-702757  
**14049 NIZZA MONFERRATO (AT) - ITALY**

E-mail: info@gioanola.it  
http://www.gioanola.it

## H7EC-N

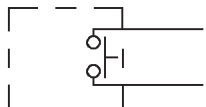
## TERMINAL ARRANGEMENT

## H7CR-A



Terminals 1 and 4 (input circuit and reset circuit) are internally connected

or SWITCH



or SWITCH

