

# G. GIOANOLA



## SUPER DRY 8 DIGIT COUNTER

ROTATING THROUGH 360° FOR EASY READING  
DRY DIAL



### MODELS:

USF-8/13 – USC-8/13

USF-8/20 – USC-8/20

- \* Single-jet turbine water meter
- \* USF-8 for cold water up to 30 °C
- \* USC-8 for hot water up to 90 °C
- \* USF-8-SA – FROST PROTECTION: equipped with water volume increase compensation system when frosting
- \* Straight reading on 8-digit roller counter (5 black digits for cubic metres and 3 red digits for litres)
- \* For cloudy, calcareous water with suspended sediments: a completely dry and unsubmerged register
- \* May be installed in any position
- \* Approval B/H: Class B – horizontal installation
- \* Approval A/V: Class A – vertical installation
- \* Manually rotatable dial: for easy reading in any position
- \* Tamperproof glass cover: against unauthorised or illegal interference
- \* On request the meter can be supplied with a plastic lid and a glass-wiper
- \* Nickel-plated housing available on request
- \* Hydraulic features in line with EEC standards following provision No.75/33

# SUPER DRY 8 DIGIT COUNTER

Nominal size of the meter			13	20			
Qmax	Maximum flow rate	m <sup>3</sup> /h	3	5			
Qn	Nominal continuous flow rate	m <sup>3</sup> /h	1,5	2,5			
Qt	Transitional flow rate with ± 2% error in class 'B'	l/h	120	200			
Qmin	Minimum flow rate with ± 5% error in class 'B'	l/h	30	50			
Qt	Transitional flow rate with ± 2% error in class 'A'	l/h	150	250			
Qmin	Minimum flow rate with ± 5% error in class 'A'	l/h	60	100			
	Starting flow	l/h	7	15			
	Minimum reading	m <sup>3</sup>	0,0001	0,0001			
	Maximum reading	m <sup>3</sup>	100.000	100.000			
	Working pressure	bar	16	16			
	Lenght 'A' without pipe fittings	mm	110 (80) (115) (170)	130			
	Lenght with pipe fittings	mm	190 (160) (195) (250)	228			
	Maximum diameter 'B'	mm	72	72			
	Height 'C' with open lid	mm	138	143			
	Height 'D' without lid	mm	66	70			
	Height of tube 'F'	mm	16	19			
	Weight including pipe fittings	kg	0,660	0,840			
	Weight without pipe fittings	kg	0,500	0,600			

## MODELS:

FOR COLD WATER UP TO 30 °C

USF-8/13 EEC approved

B89  
317.07

USF-8/20 EEC approved

B91  
317.12

FOR HOT WATER UP TO 90 °C

USC-8/13 EEC approved

B89  
45.01

USC-8/20 EEC approved

B91  
45.02

FOR COLD WATER UP TO 30 °C

equipped with water volume increase compensation system when frosting

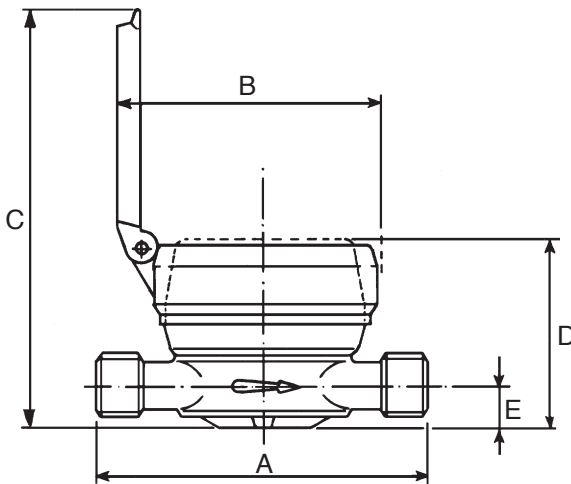
USF-8-SA/13 EEC approved

B89  
317.07

USF-8-SA/20 EEC approved

B91  
317.12

The Company's policy is one of continuous product improvement and the right is reserved to modify the specifications contained herein without notice

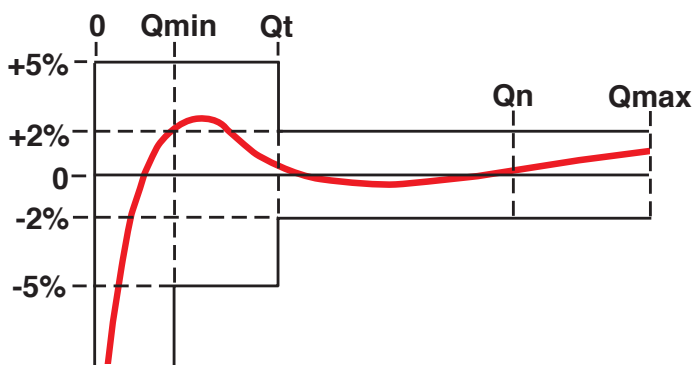


**G. GIOANOLA**  
SISMA WATER METERS

Strada Alessandria 50  
Tel. +(39)-0141-793536 - Fax +(39)-0141-702757  
14049 NIZZA MONFERRATO (AT) - ITALY

E-mail: info@gioanola.it  
http://www.gioanola.it

## TYPICAL ACCURACY CURVE



## HEAD LOSS DIAGRAM

