

G. GIOANOLA



SUPER DRY

ROTATING COUNTER THROUGH 360°
FOR EASY READING
DRY DIAL



MODELS:

USF/13 - USC/13
USF/20 - USC/20

- * Single-jet turbine water meter
- * USF model for cold water up to 30°C
- * USC model for hot water up to 90°C
- * USF-SA – FROST PROTECTION: model equipped with water volume increase compensation system when frosting
- * Straight reading on 5-digit roller counter
- * For cloudy, calcareous water with suspended sediments: a completely dry and unsubmerged register
- * May be installed in any position
- * Approval B/H: Class B – horizontal installation
- * Approval A/V: Class A – vertical installation
- * Manually rotatable dial: for easy reading in any position
- * Tamperproof glass cover: against unauthorised or illegal interference
- * On request the meter can be supplied with a plastic lid and a glass-wiper
- * Nickel-plated housing available on request
- * Hydraulic features in line with EEC standards following provision No.75/33

SUPER DRY

Nominal size of the meter			13	20			
Qmax	Maximum flow rate	m³/h	3	5			
Qn	Nominal continuous flow rate	m³/h	1,5	2,5			
Qt	Transitional flow rate with ± 2% error in class 'B'	l/h	120	200			
Qmin	Minimum flow rate with ± 5% error in class 'B'	l/h	30	50			
Qt	Transitional flow rate with ± 2% error in class 'A'	l/h	150	250			
Qmin	Minimum flow rate with ± 5% error in class 'A'	l/h	60	100			
	Starting flow	l/h	7	15			
	Minimum reading	m³	0,0001	0,0001			
	Maximum reading	m³	100.000	100.000			
	Working pressure	bar	16	16			
	Lenght 'A' without pipe fittings	mm	110 (80) (115) (170)	130			
	Lenght with pipe fittings	mm	190 (160) (195) (250)	228			
	Maximum diameter 'B'	mm	72	72			
	Height 'C' with open lid	mm	138	143			
	Height 'D' without lid	mm	66	70			
	Height of tube 'F'	mm	16	19			
	Weight including pipe fittings	kg	0,660	0,840			
	Weight without pipe fittings	kg	0,500	0,600			

MODELS:

FOR COLD WATER UP TO 30 °C

USF/13 EEC approved

B89
317.07

USF/20 EEC approved

B91
317.12

FOR HOT WATER UP TO 90 °C

USC/13 EEC approved

B89
45.01

USC/20 EEC approved

B91
45.02

FOR COLD WATER UP TO 30 °C

equipped with water volume increase compensation system when frosting

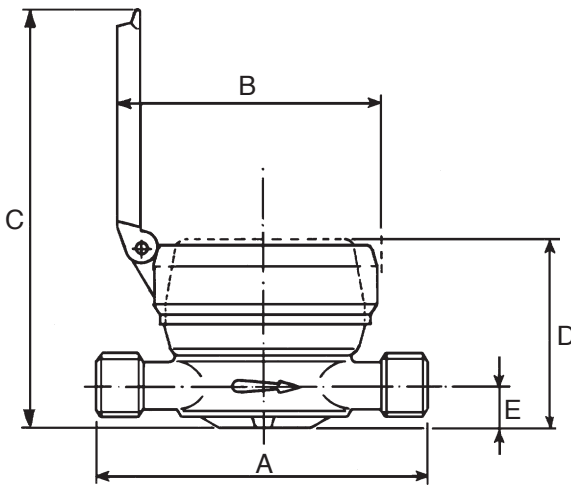
USF-SA/13 EEC approved

B89
317.07

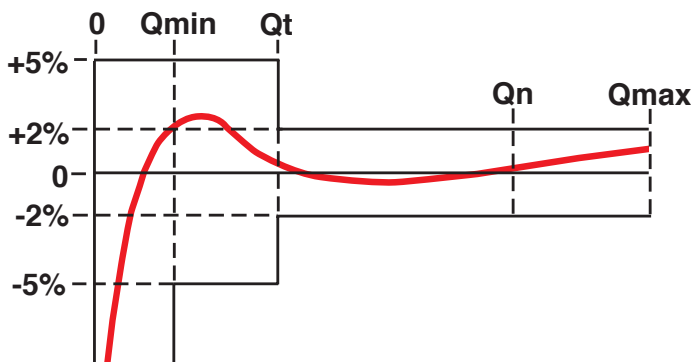
USF-SA/20 EEC approved

B91
317.12

The Company's policy is one of continuous product improvement and the right is reserved to modify the specifications contained herein without notice



TYPICAL ACCURACY CURVE



G. GIOANOLA
SISMA WATER METERS

Strada Alessandria 50
Tel. +(39)-0141-793536 - Fax +(39)-0141-702757
14049 NIZZA MONFERRATO (AT) - ITALY

E-mail: info@gioanola.it
http://www.gioanola.it

HEAD LOSS DIAGRAM

